



Series **OP3**  
**2wire**

3" 2 WIRE REWINDABLE OIL  
FILLED SUBMERSIBLE MOTOR

# OP3 2W Series

## 3" 2 wire rewindable oil filled submersible motor

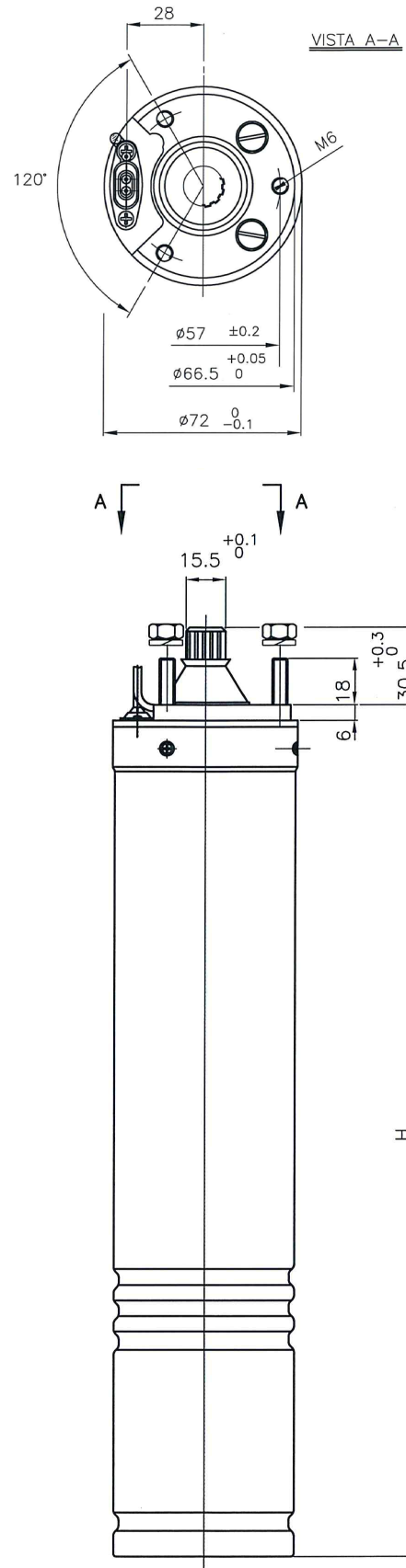


### Technical features

- Rewindable.
- Built in capacitor.
- Built in thermal overload.
- Upper bracket: Nickel plated cast iron. SS 316 available.
- Motor case: SS 304.
- Motor shaft: SS 304.
- Shaft extension and coupling: NEMA Standard.
- High quality radial and thrust ball bearings.
- Winding: enameled copper - Class F insulation.
- Degree of protection IP68/Class B insulation.
- Max temp. 35° with water cooling flow min. 0.08 m/s.
- Max depth immersion: 100 m.
- Nos. of start per hour: max 30 at regular intervals.
- Over-dimensioned sand slinger.
- Mechanical seal: graphite/ceramic.  
SiC/SiC or SiC/Al mechanical seal available as option.
- Coolant: dielectric non toxic high quality lubricant.
- Motor cable length: 1,75 m (2 wires plus ground).
- Voltage variation: +/-10%.
- Suitable for horizontal operation.

### Motor range versions:

- Single Phase: 0.37kW (0.5hp) to 0.75kW (1hp),  
220-230V / 50Hz (or 60Hz).
- Other voltage and frequencies available upon request.



### DIMENSIONS AND WEIGHT

Type	kW	Ph	Hp	Axial thrust	H mm	Weight Kg
OPM 050	0,37		0,5		406	6,3
OPM 075	0,55	1ø	0,75	1200 N	426	6,8
OPM 100	0,75		1		446	7,1

# OP3 2W Series

## 3" 2 wire rewindable oil filled submersible motor

SINGLE PHASE														
50Hz.	Thrust Load	Weight	H	kW	Hp	In	Istart	RPM	Cosφ	Ts/Tn	EFF%	μF	Imax	
	N	Kg	mm			Amp								Amp
220/230V	OPM 050	1200	6,30	406	0,37	0,50	3,80	8,8	2800	0,96	0,54	51	16,00	4,30
	OPM 075		6,80	426	0,55	0,75	4,60	12,5		0,98	0,52	55	20,00	5,10
	OPM 100		7,10	446	0,75	1,00	5,95	14,5		0,98	0,52	57	25,00	6,20

SINGLE PHASE														
60Hz.	Thrust Load	Weight	H	kW	Hp	In	Istart	RPM	Cosφ	Ts/Tn	EFF%	μF	Imax	
	N	Kg	mm			Amp								Amp
220/230V	OPM 050	1200	6,30	406	0,37	0,50	3,90	9	3400	0,96	0,54	51	12,50	4,30
	OPM 075		6,80	426	0,55	0,75	4,80	13		0,98	0,52	55	16,00	5,10
	OPM 100		7,10	446	0,75	1,00	6,00	15		0,98	0,52	57	25,00	6,20



Sumoto srl a company of Ebara Group  
 Via Peripoli R. e G., 1/3 - 36075  
 Alte di Montecchio Maggiore (Vicenza) - Italy  
 Tel. +39 0444 490515 - Fax +39 0444 490518  
 info@sumoto.com  
 www.sumoto.com

